

SONY®

TRINITRON® COLOR TV BASIC SCHEMATIC DIAGRAM

KV-S29MH1/S34MH1/RM-821
KV-S29MN1/S34MN1/RM-821
KV-S29JN1/S34JN1/RM-821
KV-S29RN1/S34RN1/RM-821

KV-S29MH1
Chassis No. SCC-F27B
KV-S34MH1
Chassis No. SCC-F27A
KV-S29MN1
Chassis No. SCC-F51B
KV-S34MN1
Chassis No. SCC-F51A
KV-S29JN1
Chassis No. SCC-F54B
KV-S34JN1
Chassis No. SCC-F54A
KV-S29RN1
Chassis No. SCC-F58B
KV-S34RN1
Chassis No. SCC-F58A

NOTE

THIS SCHEMATIC DIAGRAM IS FOR USE BY YOUR SERVICE
TECHNICIAN.

KEEP THIS DIAGRAM HANDY FOR FUTURE REFERENCE.

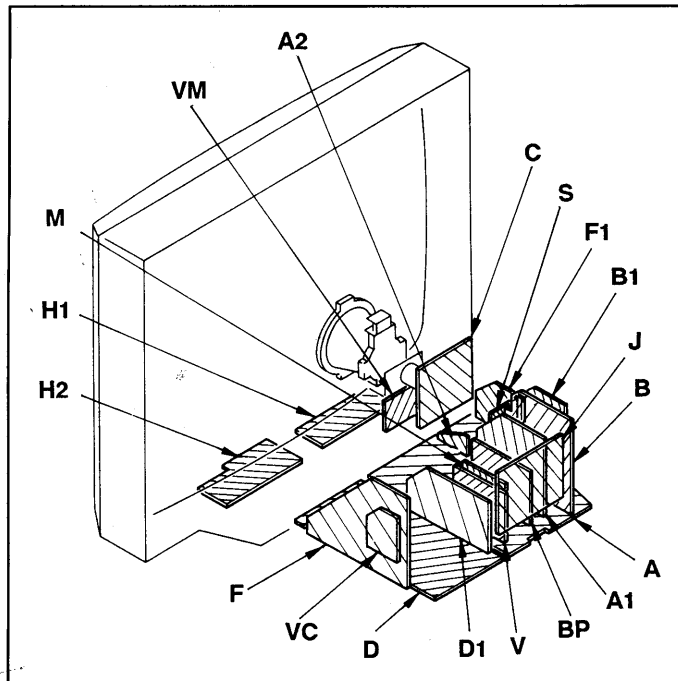
WARNING !!

AN ISOLATION TRANSFORMER SHOULD BE USED
DURING ANY SERVICE TO AVOID POSSIBLE SHOCK
HAZARD, BECAUSE OF LIVE CHASSIS.
THE CHASSIS OF THIS RECEIVER IS DIRECTLY CON-
NECTED TO THE AC POWER LINE.

SAFETY-RELATED COMPONENT WARNING!!

COMPONENTS IDENTIFIED BY SHADING AND Δ MARK
ON THE SCHEMATIC DIAGRAMS ARE CRITICAL TO
SAFE OPERATION. REPLACE THESE COMPONENTS
WITH SONY PARTS WHOSE PART NUMBERS APPEAR
AS SHOWN IN THE SERVICE MANUAL.

CIRCUIT BOARDS LOCATION



Sony Corporation

© 1992

Printed in Japan

SCHEMATIC DIAGRAMS OF F, F1 AND H2 BOARDS

1

2

3

4

5

6

7

A

B

C

D

E

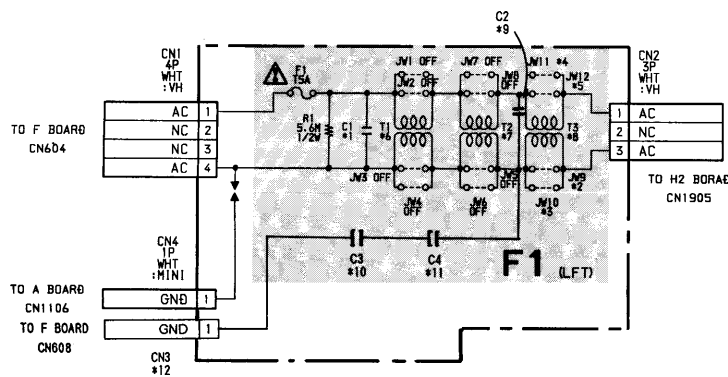
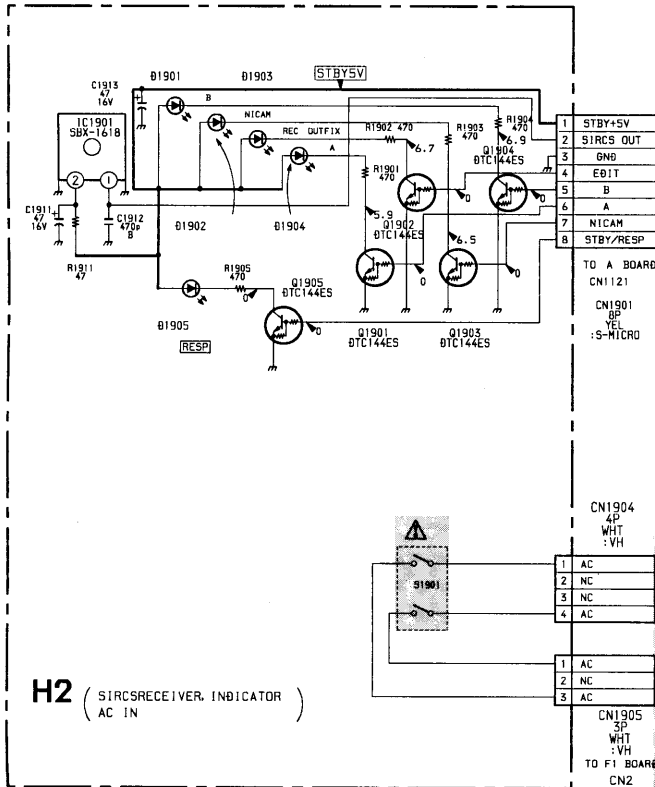
F

G

H

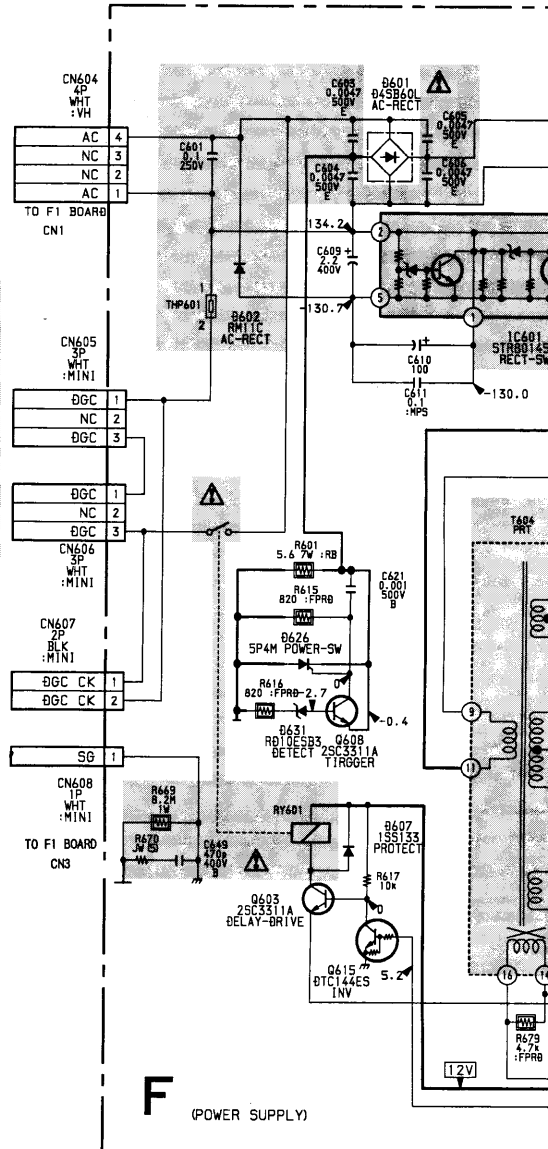
I

J

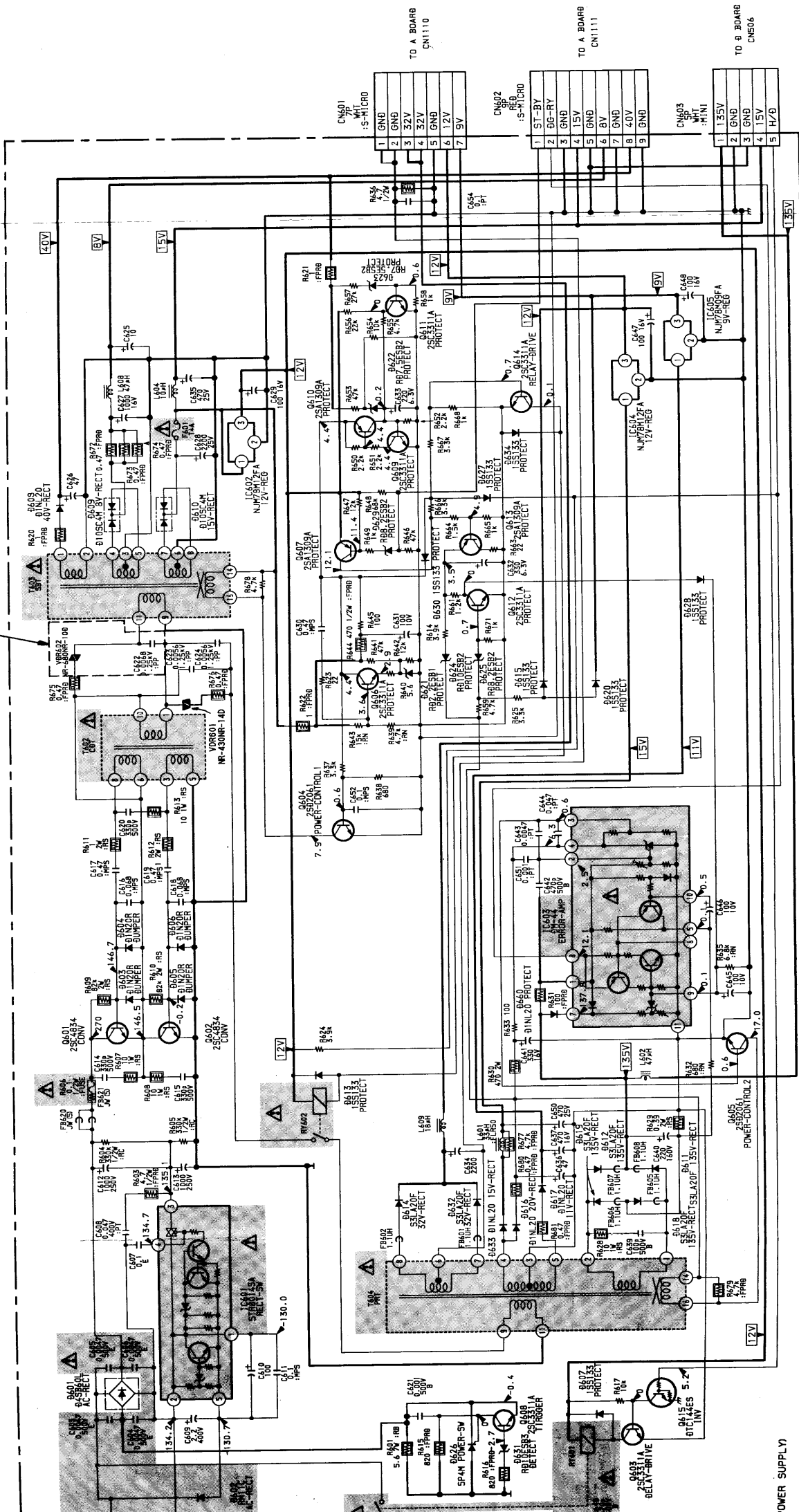


F1 BOARD *MARK LIST

#	Part	Value
#1	C1	0.1 250V
#2	JW9	10MM
#3	JW10	10MM
#4	JW11	10MM
#5	JW12	10MM
#6	T1	1.8MH 1-424-585-11
#7	T2	1.8MH 1-424-585-11
#8	T3	
#9	C2	
#10	C3	
#11	C4	
#12	CN3	



In case of replacing VDR602 or C622, fix VDR602 and C622 by RTV with the space of 6mm or more between VDR602 and T603.



CN601

1	GNB
2	GNB
3	32V
4	32V
5	GNB
6	12V
7	9V

CN602

1	ST-BY
2	00-RV
3	GNB
4	15V
5	GNB
6	BV
7	GNB
8	40V
9	GNB

CN603

1	1.35V
2	GNB
3	GNB
4	15V
5	H/D

TO A BOARD
CN1110

TO A BOARD
CN1111

TO B BOARD
CN506

(POWER SUPPLY)

SCHEMATIC DIAGRAMS OF A2, H1 AND S BOARDS

1 2 3 4 5 6

A
B
C
D
E
F
G
H
I
J

